

AIMB-542

LGA775 Pentium® 4/Celeron® D Processor-based MicroATX with AGP/Single FE LAN

NEW



Features

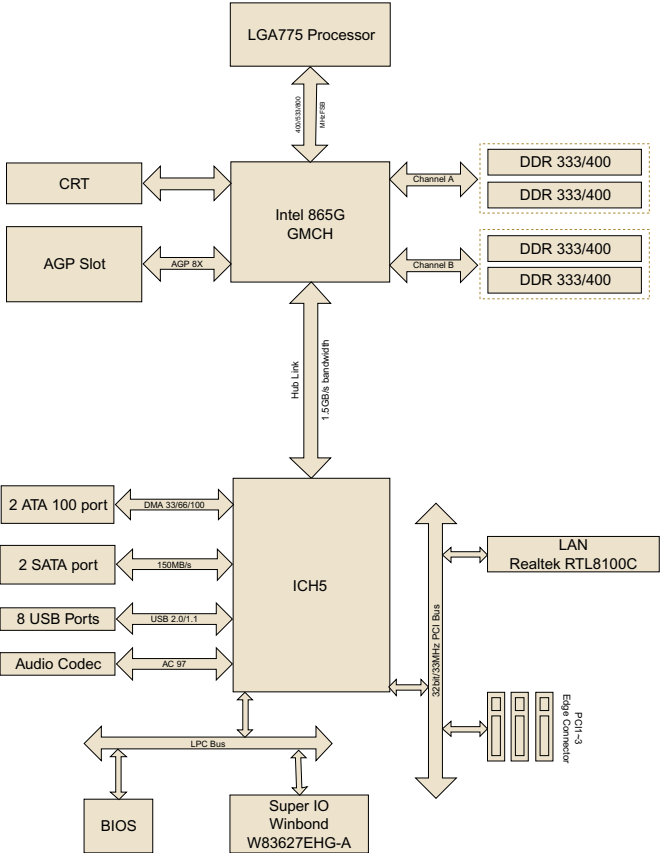
- Intel® 865G chipset 533/800 MHz FSB
- Supports dual channel DDR 333/400 SDRAM
- Chipset integrated VGA
- Supports up to two Serial ATA devices
- Onboard AGP 8X slot
- Supports 10/100Base-T Ethernet



Specifications

| | | | | | | | |
|--------------------------|-------------------------|---|-------------------|--------|--------|---------------------------|-------|
| Processor System | CPU (90nm) | Intel® Pentium® 4 | Intel® Celeron® D | | | | |
| | Max. Speed | 3.8 GHz (800 FSB) | 3.06 GHz | | | | |
| | L2 Cache | 1/ 2 MB | 256 KB | | | | |
| | Chipset | Intel 865G + ICH5 | | | | | |
| | BIOS | AMI® 4 Mbit FWH | | | | | |
| | Front Side Bus | 533/800 MHz | | | | | |
| Expansion Slot | AGP | AGP 8X | | | | | |
| | PCI | 32-bit/33 MHz, 3 slots | | | | | |
| | ISA | None | | | | | |
| Memory | Technology | Dual channel DDR 333/400 SDRAM | | | | | |
| | Max. Capacity | 4 GB | | | | | |
| | Socket | 184-pin DIMM x 4 | | | | | |
| Graphic | Controller | Chipset integrated VGA controller | | | | | |
| | VRAM | Dynamically shared system memory up to 64 MB | | | | | |
| Ethernet | Interface | 10/100Base-T | | | | | |
| | Controller | Realtek™ RTL 8100C | | | | | |
| | Connector | RJ-45 x 1 | | | | | |
| SATA | Max. Data Transfer Rate | 150 MB/s | | | | | |
| | Channel | 2 | | | | | |
| EIDE | Mode | ATA 100/66/33 | | | | | |
| | Channel | 2 (Max. 4 devices) | | | | | |
| I/O Interface | VGA | 1 | | | | | |
| | USB | 8 (USB 2.0, 480Mbps; 4 external ports and 4 onboard pin headers) | | | | | |
| | Audio | 3 (Mic-In, Line-In, Line-Out) | | | | | |
| | Serial | 1 | | | | | |
| | Parallel | 1 (SPP/EPP/ECP) | | | | | |
| | FDD | 1 | | | | | |
| | PS/2 | 2 (keyboard and mouse) | | | | | |
| Watchdog Timer | | None | | | | | |
| Power Requirement | Typical | Pentium 4 3.4 GHz, 1 GB SRAM, 80 GB HDD | | | | | |
| | | +12 V | +5 V | +3.3 V | 5 Vsb | -5 V | -12 V |
| | | 9.95 A | 1.51 A | 5.18 A | 282 mA | 9 mA | 18 mA |
| Environment | | Operating | | | | Non-Operating | |
| | Temperature | 0 ~ 60° C (32 ~ 140° F), depends on CPU's speed and cooler solution | | | | -20 ~ 70° C (-4 ~ 158° F) | |
| Physical Characteristics | Dimensions (W x D) | 244 x 244 mm (9.6" x 9.6") | | | | | |

Block Diagram



Ordering Information

| Part Number | Embedded VGA | Fast Ethernet | AGP |
|------------------|--------------|---------------|-----|
| AIMB-542VE-00A1E | Yes | Single | Yes |

*AIMB-542 cannot be installed in ACP-2000MB chassis
 **We strongly suggest using only Advantech's certified LGA 775 CPU coolers to ensure board reliability under harsh environments

Bracket View



AIMB-542VE-00A1E

Packing List

| Description | Quantity |
|----------------------------|----------|
| FDD cable | x 1 |
| IDE HDD cable | x 1 |
| Serial ATA HDD data cable | x 2 |
| Serial ATA HDD power cable | x 2 |
| I/O port bracket | x 1 |
| Startup manual | x 1 |
| Utility CD | x 1 |

Accessories

| Part Number | Description |
|-------------|---------------------------|
| 1750000334 | LGA 775 CPU cooler (115W) |